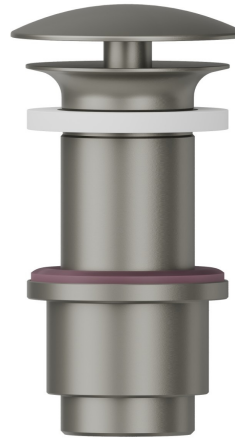


229.M0.070

1"1/4 free drain - finish Titanium Satin



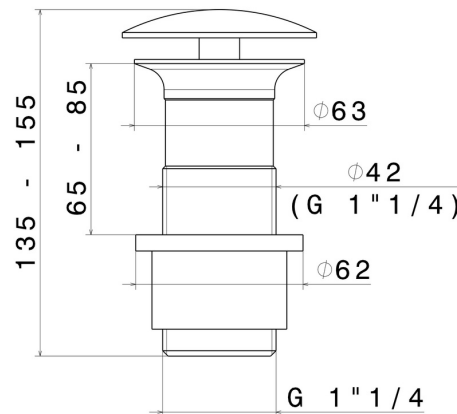
Titanium Satin

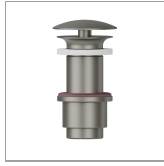


FEATURES

Material	Brass
Waste / Drain set	Free drain

TECHNICAL DRAWING





229.M0.070

1"1/4 free drain - finish Titanium Satin

AVAILABLE FINISHES



M0.070

Titanium Satin



01.014

finish Matt White



01.093

finish Matt Black



21.018

finish Chrome



47.083

finish Groove Bronze



58.061

finish PVD Copper Bronze



58.063

finish PVD Gun Metal



59.064

finish PVD Brushed Gun Metal



59.066

finish PVD Brushed steel



59.067

finish PVD Brushed Copper Bronze



59.097

finish PVD Brushed Gold



59.098

finish PVD Brushed Pale Gold



61.020
finish PVD Glossy Gold



M0.071
finish Gold Satin



M0.072
finish Copper Satin



M0.075
finish Copper Glossy



M0.077
finish Carbon Satin