

229.M0.077

1"1/4 free drain - finish Carbon Satin



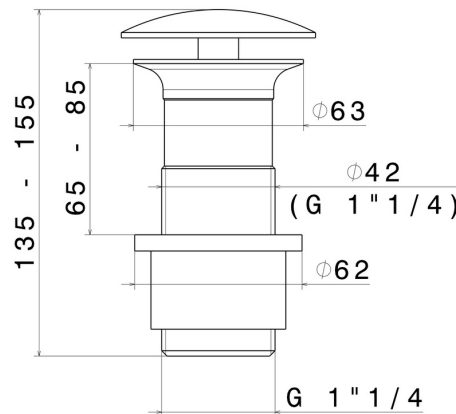
Carbon Satin



FEATURES

Material	Brass
Waste / Drain set	Free drain

TECHNICAL DRAWING





229.M0.077

1"1/4 free drain - finish Carbon Satin

AVAILABLE FINISHES



M0.077

Carbon Satin



01.014

finish Matt White



01.093

finish Matt Black



21.018

finish Chrome



47.083

finish Groove Bronze



58.061

finish PVD Copper Bronze



58.063

finish PVD Gun Metal



59.064

finish PVD Brushed Gun Metal



59.066

finish PVD Brushed steel



59.067

finish PVD Brushed Copper Bronze



59.097

finish PVD Brushed Gold



59.098

finish PVD Brushed Pale Gold

 **61.020**
finish PVD Glossy Gold

 **M0.070**
finish Titanium Satin

 **M0.071**
finish Gold Satin

 **M0.072**
finish Copper Satin

 **M0.075**
finish Copper Glossy