

IONIKA ALLURE

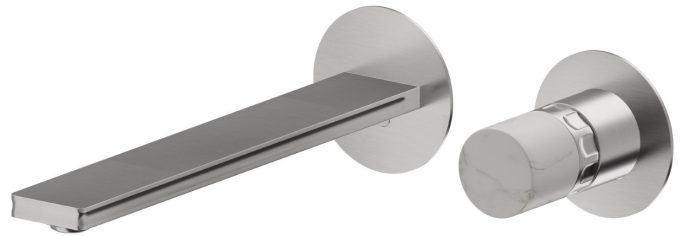
73030E.59.066

2-hole wall-mounted washbasin group - finish PVD Brushed steel

External part. Without pop-up waste set



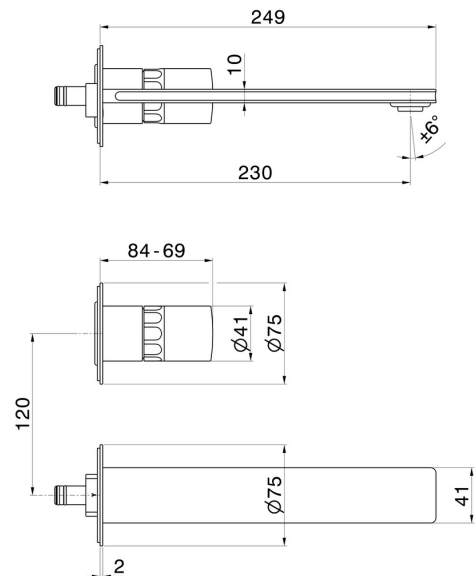
PVD Brushed steel



FEATURES

Material	Brass/Marble
Technology	Energy Saving - Save Water
Installation	Wall concealed part
Spout	Long spout
Hole type	2 holes
Control type	Single lever
Waste / Drain set	Without waste set
Water mixing	Mechanical
Required for installation	<u>31076.00.000</u>

TECHNICAL DRAWING





IONIKA ALLURE

73030E.59.066

2-hole wall-mounted washbasin group - finish PVD Brushed steel

AVAILABLE FINISHES



59.066

PVD Brushed steel



01.014

finish Matt White



01.093

finish Matt Black



21.018

finish Chrome



59.064

finish PVD Brushed Gun Metal



59.067

finish PVD Brushed Copper Bronze



59.098

finish PVD Brushed Pale Gold



61.020

finish PVD Glossy Gold