

70402E.M0.070

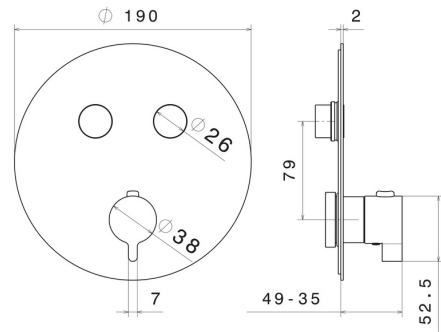
2 ways out thermostatic concealed mixer, with one handle for temperature control and buttons on/off. External part - finish Titanium Satin

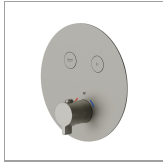


FEATURES

Material	Brass
Installation	Wall concealed part
Outlets	2 Ways Out
Water mixing	Thermostatic
Required for installation	<u>27751.00.000</u>

TECHNICAL DRAWING





70402E.M0.070

2 ways out thermostatic concealed mixer, with one handle for temperature control and buttons on/off. External part - finish Titanium Satin

AVAILABLE FINISHES



M0.070

Titanium Satin



01.014

finish Matt White



01.093

finish Matt Black



21.018

finish Chrome



47.083

finish Groove Bronze



58.061

finish PVD Copper Bronze



58.063

finish PVD Gun Metal



59.064

finish PVD Brushed Gun Metal



59.066

finish PVD Brushed steel



59.067

finish PVD Brushed Copper Bronze



59.097

finish PVD Brushed Gold



61.020

finish PVD Glossy Gold



MO.071

finish Gold Satin



MO.072

finish Copper Satin



MO.075

finish Copper Glossy



MO.077

finish Carbon Satin