

X-STEEL 316

69600X.59.067

3-hole basin group. 1/2" T piece - finish PVD Brushed Copper Bronze

Without pop-up waste set



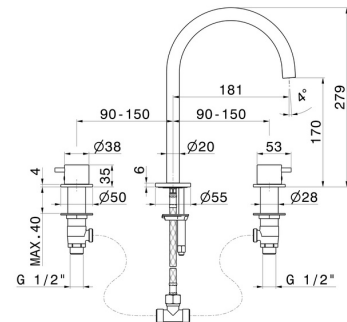
PVD Brushed Copper Bronze



FEATURES

- | | |
|-------------------|--------------------------|
| Material | Stainless Steel |
| Technology | Save Water |
| Installation | Freestanding |
| Hole type | 3 holes |
| Waste / Drain set | Without waste set |
| Water mixing | Mechanical |

TECHNICAL DRAWING





X-STEEL 316

69600X.59.067

3-hole basin group. 1/2" T piece - finish PVD Brushed Copper Bronze

AVAILABLE FINISHES



59.067

PVD Brushed Copper Bronze



50.050

finish Stainless Steel



59.064

finish PVD Brushed Gun Metal



59.097

finish PVD Brushed Gold



59.098

finish PVD Brushed Pale Gold