

IONIKA

72801.59.064

3-hole basin group. 1/2" T piece - finish PVD Brushed Gun Metal

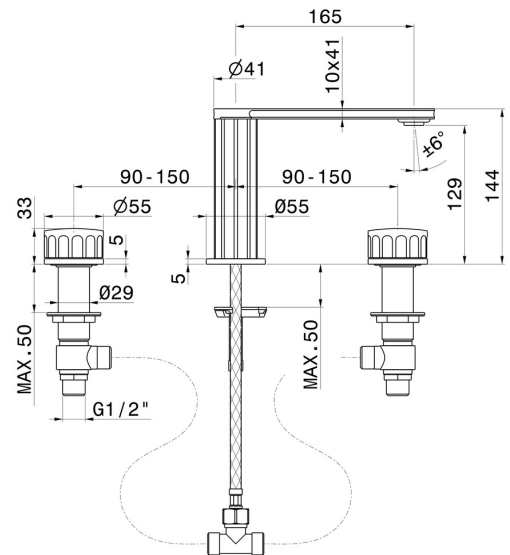
Without pop-up waste set.



FEATURES

Material	Brass
Technology	Save Water
Installation	Freestanding
Hole type	3 holes
Waste / Drain set	Without waste set
Water mixing	Mechanical

TECHNICAL DRAWING





IONIKA

72801.59.064

3-hole basin group. 1/2" T piece - finish PVD Brushed Gun Metal

AVAILABLE FINISHES



59.064

PVD Brushed Gun Metal



01.014

finish Matt White



01.093

finish Matt Black



21.018

finish Chrome



59.066

finish PVD Brushed steel



59.067

finish PVD Brushed Copper Bronze



59.098

finish PVD Brushed Pale Gold



61.020

finish PVD Glossy Gold