

IONIKA ALLURE

73001.59.066

3-hole basin group. 1/2" T piece - finish PVD Brushed steel

Without pop-up waste set.



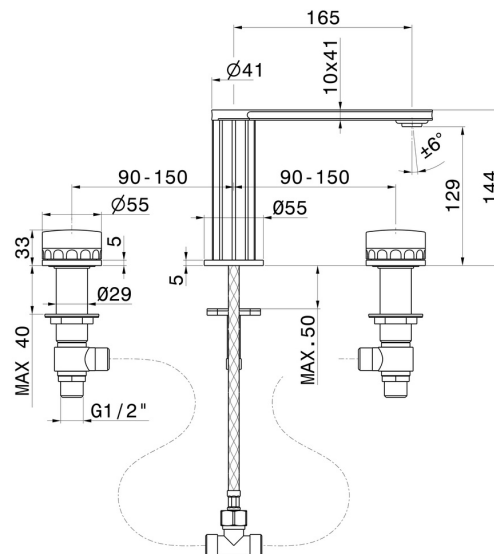
PVD Brushed steel



FEATURES

Material	Brass/Marble
Technology	Save Water
Installation	Freestanding
Hole type	3 holes
Waste / Drain set	Without waste set
Water mixing	Mechanical

TECHNICAL DRAWING





IONIKA ALLURE

73001.59.066

3-hole basin group. 1/2" T piece - finish PVD Brushed steel

AVAILABLE FINISHES



59.066

PVD Brushed steel



01.014

finish Matt White



01.093

finish Matt Black



21.018

finish Chrome



59.064

finish PVD Brushed Gun Metal



59.067

finish PVD Brushed Copper Bronze



59.098

finish PVD Brushed Pale Gold



61.020

finish PVD Glossy Gold