

NIO

68901.59.066

3-hole basin group - finish PVD Brushed steel



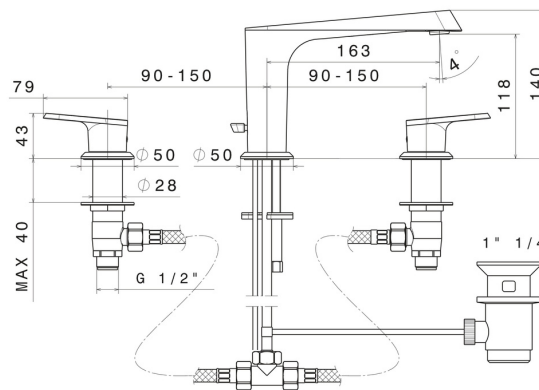
PVD Brushed steel



FEATURES

Material	Brass
Technology	Save Water
Installation	Freestanding
Hole type	3 holes
Waste / Drain set	With waste set
Water mixing	Mechanical

TECHNICAL DRAWING





NIO

68901.59.066

3-hole basin group - finish PVD Brushed steel

AVAILABLE FINISHES



59.066

PVD Brushed steel



01.093

finish Matt Black



21.018

finish Chrome



59.097

finish PVD Brushed Gold