

125.59.064

Ball valve with 1/2" filter - finish PVD Brushed Gun Metal



PVD Brushed Gun Metal

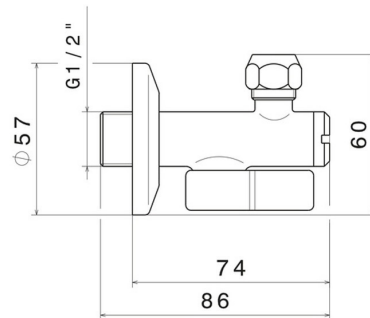


FEATURES

Material

Brass

TECHNICAL DRAWING





125.59.064

Ball valve with 1/2" filter - finish PVD Brushed Gun Metal

AVAILABLE FINISHES



59.064

PVD Brushed Gun Metal



01.014

finish Matt White



01.093

finish Matt Black



21.018

finish Chrome



47.083

finish Groove Bronze



58.061

finish PVD Copper Bronze



58.063

finish PVD Gun Metal



59.066

finish PVD Brushed steel



59.067

finish PVD Brushed Copper Bronze



59.097

finish PVD Brushed Gold



59.098

finish PVD Brushed Pale Gold



61.020

finish PVD Glossy Gold

 **M0.070**
finish Titanium Satin

 **M0.071**
finish Gold Satin

 **M0.072**
finish Copper Satin

 **M0.075**
finish Copper Glossy

 **M0.077**
finish Carbon Satin