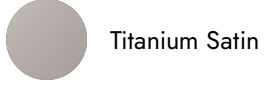


**125.M0.070**

Ball valve with 1/2" filter - finish Titanium Satin



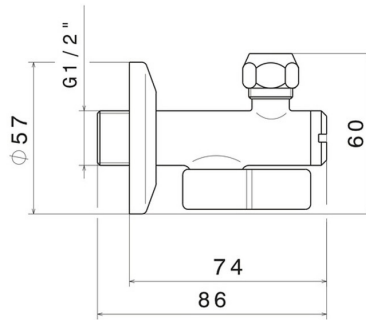
**FEATURES**

---

Material **Brass**

**TECHNICAL DRAWING**

---





**125.M0.070**

Ball valve with 1/2" filter - finish Titanium Satin

## AVAILABLE FINISHES

---



**M0.070**

Titanium Satin



**01.014**

finish Matt White



**01.093**

finish Matt Black



**21.018**

finish Chrome



**47.083**

finish Groove Bronze



**58.061**

finish PVD Copper Bronze



**58.063**

finish PVD Gun Metal



**59.064**

finish PVD Brushed Gun Metal



**59.066**

finish PVD Brushed steel



**59.067**

finish PVD Brushed Copper Bronze



**59.097**

finish PVD Brushed Gold



**59.098**

finish PVD Brushed Pale Gold



**61.020**  
finish PVD Glossy Gold



**M0.071**  
finish Gold Satin



**M0.072**  
finish Copper Satin



**M0.075**  
finish Copper Glossy



**M0.077**  
finish Carbon Satin