

125.M0.071

Ball valve with 1/2" filter - finish Gold Satin



Gold Satin

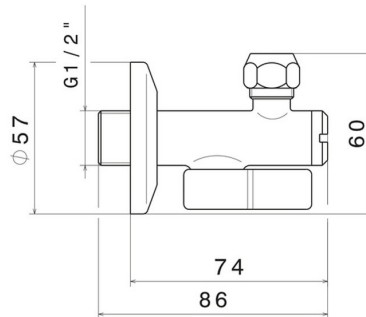


FEATURES

Material

Brass

TECHNICAL DRAWING





125.M0.071

Ball valve with 1/2" filter - finish Gold Satin

AVAILABLE FINISHES



M0.071

Gold Satin



01.014

finish Matt White



01.093

finish Matt Black



21.018

finish Chrome



47.083

finish Groove Bronze



58.061

finish PVD Copper Bronze



58.063

finish PVD Gun Metal



59.064

finish PVD Brushed Gun Metal



59.066

finish PVD Brushed steel



59.067

finish PVD Brushed Copper Bronze



59.097

finish PVD Brushed Gold



59.098

finish PVD Brushed Pale Gold

 **61.020**
finish PVD Glossy Gold

 **M0.070**
finish Titanium Satin

 **M0.072**
finish Copper Satin

 **M0.075**
finish Copper Glossy

 **M0.077**
finish Carbon Satin