

212.01.014

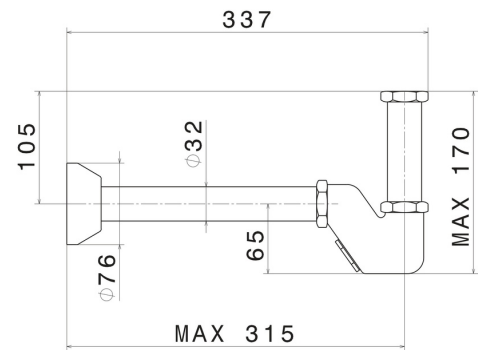
Checking trap for basin, back inspection, without drain - finish
Matt White



FEATURES

Material **Brass**

TECHNICAL DRAWING





212.01.014

Checking trap for basin, back inspection, without drain - finish Matt White

AVAILABLE FINISHES



01.014

Matt White



01.093

finish Matt Black



21.018

finish Chrome



47.083

finish Groove Bronze



59.066

finish PVD Brushed steel



61.020

finish PVD Glossy Gold



M0.070

finish Titanium Satin



M0.071

finish Gold Satin



M0.072

finish Copper Satin



M0.075

finish Copper Glossy



M0.077

finish Carbon Satin