

212.01.093

Checking trap for basin, back inspection, without drain - finish
Matt Black

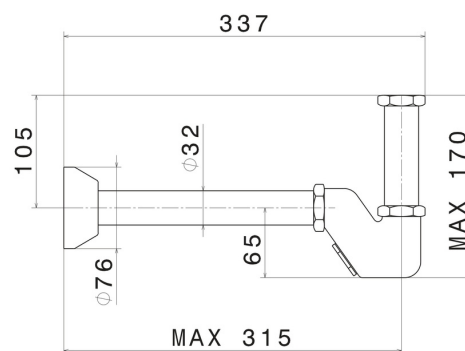


FEATURES

Material

Brass

TECHNICAL DRAWING





212.01.093

Checking trap for basin, back inspection, without drain - finish Matt Black

AVAILABLE FINISHES



01.093

Matt Black



01.014

finish Matt White



21.018

finish Chrome



47.083

finish Groove Bronze



59.066

finish PVD Brushed steel



61.020

finish PVD Glossy Gold



M0.070

finish Titanium Satin



M0.071

finish Gold Satin



M0.072

finish Copper Satin



M0.075

finish Copper Glossy



M0.077

finish Carbon Satin