

212.47.083

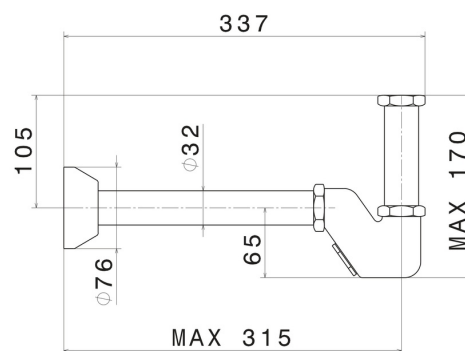
Checking trap for basin, back inspection, without drain - finish
Groove Bronze



FEATURES

Material **Brass**

TECHNICAL DRAWING





212.47.083

Checking trap for basin, back inspection, without drain - finish Groove Bronze

AVAILABLE FINISHES



47.083

Groove Bronze



01.014

finish Matt White



01.093

finish Matt Black



21.018

finish Chrome



59.066

finish PVD Brushed steel



61.020

finish PVD Glossy Gold



M0.070

finish Titanium Satin



M0.071

finish Gold Satin



M0.072

finish Copper Satin



M0.075

finish Copper Glossy



M0.077

finish Carbon Satin