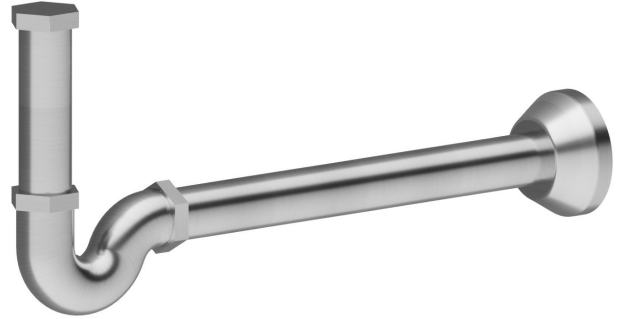


212.59.066

Checking trap for basin, back inspection, without drain - finish
PVD Brushed steel



PVD Brushed steel

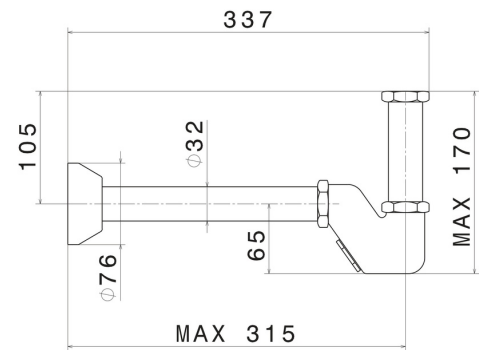


FEATURES

Material

Brass

TECHNICAL DRAWING



AR Preview
try it in your home



More Details
on our [website](#)



212.59.066

Checking trap for basin, back inspection, without drain - finish PVD Brushed steel

AVAILABLE FINISHES



59.066

PVD Brushed steel



01.014

finish Matt White



01.093

finish Matt Black



21.018

finish Chrome



47.083

finish Groove Bronze



61.020

finish PVD Glossy Gold



M0.070

finish Titanium Satin



M0.071

finish Gold Satin



M0.072

finish Copper Satin



M0.075

finish Copper Glossy



M0.077

finish Carbon Satin



AR Preview
try it in your home



More Details
on our [website](#)