

212.61.020

Checking trap for basin, back inspection, without drain - finish
PVD Glossy Gold

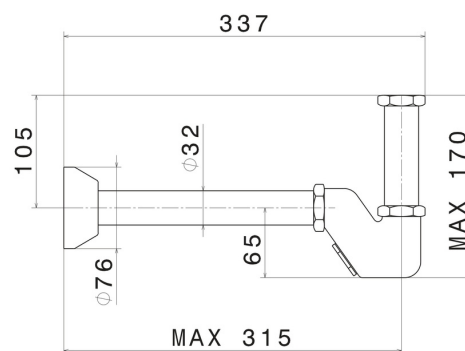


FEATURES

Material

Brass

TECHNICAL DRAWING





212.61.020

Checking trap for basin, back inspection, without drain - finish PVD Glossy Gold

AVAILABLE FINISHES



61.020

PVD Glossy Gold



01.014

finish Matt White



01.093

finish Matt Black



21.018

finish Chrome



47.083

finish Groove Bronze



59.066

finish PVD Brushed steel



M0.070

finish Titanium Satin



M0.071

finish Gold Satin



M0.072

finish Copper Satin



M0.075

finish Copper Glossy



M0.077

finish Carbon Satin