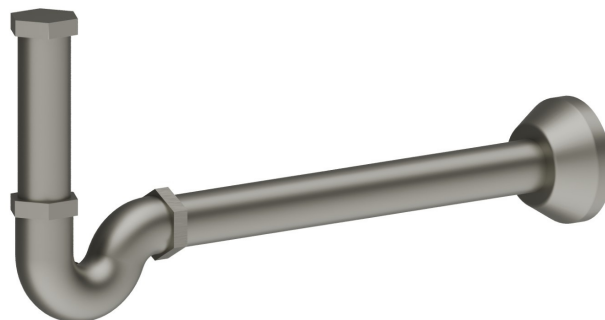


212.M0.070

Checking trap for basin, back inspection, without drain - finish
Titanium Satin



FEATURES

Material

Brass

TECHNICAL DRAWING





212.M0.070

Checking trap for basin, back inspection, without drain - finish Titanium Satin

AVAILABLE FINISHES



M0.070

Titanium Satin



01.014

finish Matt White



01.093

finish Matt Black



21.018

finish Chrome



47.083

finish Groove Bronze



59.066

finish PVD Brushed steel



61.020

finish PVD Glossy Gold



M0.071

finish Gold Satin



M0.072

finish Copper Satin



M0.075

finish Copper Glossy



M0.077

finish Carbon Satin