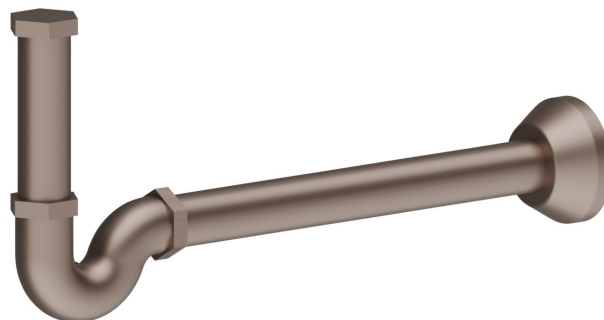


212.M0.075

Checking trap for basin, back inspection, without drain - finish
Copper Glossy

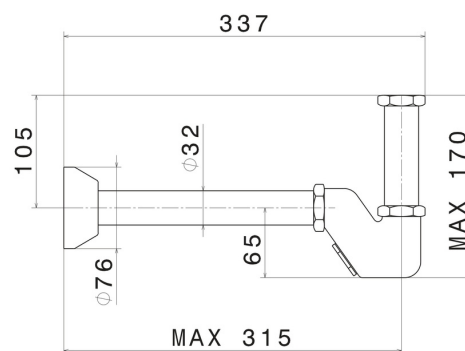


FEATURES

Material

Brass

TECHNICAL DRAWING





212.M0.075

Checking trap for basin, back inspection, without drain - finish Copper Glossy

AVAILABLE FINISHES



M0.075

Copper Glossy



01.014

finish Matt White



01.093

finish Matt Black



21.018

finish Chrome



47.083

finish Groove Bronze



59.066

finish PVD Brushed steel



61.020

finish PVD Glossy Gold



M0.070

finish Titanium Satin



M0.071

finish Gold Satin



M0.072

finish Copper Satin



M0.077

finish Carbon Satin