

**67608E.21.018**

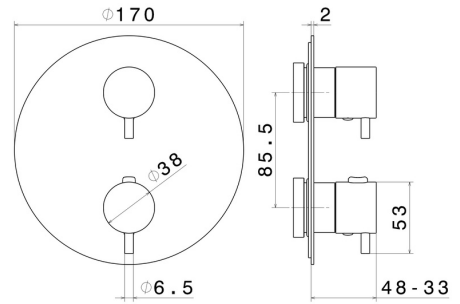
Concealed thermostatic mixer, with one handle for temperature control and 2 ways out diverter. External part - finish Chrome



**FEATURES**

|                           |                            |
|---------------------------|----------------------------|
| Material                  | <b>Brass</b>               |
| Installation              | <b>Wall concealed part</b> |
| Diverter type             | <b>Mechanic diverter</b>   |
| Outlets                   | <b>2 Ways Out</b>          |
| Water mixing              | <b>Thermostatic</b>        |
| Required for installation | <b><u>27888.00.000</u></b> |
| Required for installation | <b><u>31020.00.000</u></b> |
| Required for installation | <b><u>31061.00.000</u></b> |

**TECHNICAL DRAWING**





**67608E.21.018**

Concealed thermostatic mixer, with one handle for temperature control and 2 ways out diverter.  
External part - finish Chrome

**AVAILABLE FINISHES**

---



**21.018**

Chrome



**01.014**

finish Matt White



**01.093**

finish Matt Black



**47.083**

finish Groove Bronze



**58.061**

finish PVD Copper Bronze



**58.063**

finish PVD Gun Metal



**59.064**

finish PVD Brushed Gun Metal



**59.066**

finish PVD Brushed steel



**59.067**

finish PVD Brushed Copper Bronze



**59.097**

finish PVD Brushed Gold



**59.098**

finish PVD Brushed Pale Gold



**61.020**

finish PVD Glossy Gold

 **M0.070**  
finish Titanium Satin

 **M0.071**  
finish Gold Satin

 **M0.072**  
finish Copper Satin

 **M0.075**  
finish Copper Glossy

 **M0.077**  
finish Carbon Satin