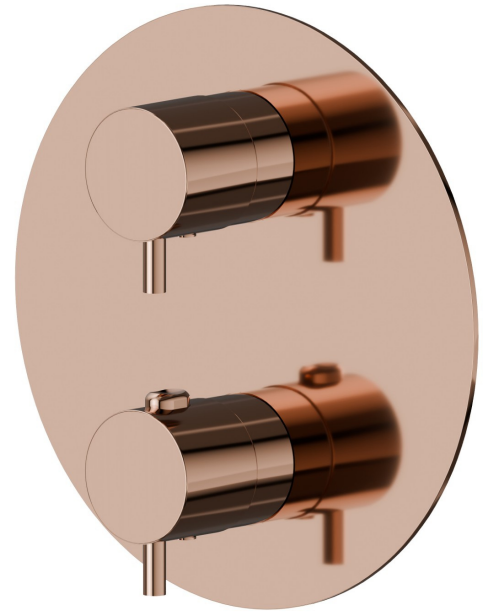


67608E.58.061

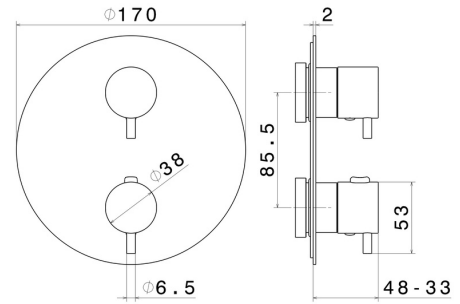
Concealed thermostatic mixer, with one handle for temperature control and 2 ways out diverter. External part - finish PVD Copper Bronze




FEATURES

Material	Brass
Installation	Wall concealed part
Diverter type	Mechanic diverter
Outlets	2 Ways Out
Water mixing	Thermostatic
Required for installation	<u>27888.00.000</u>
Required for installation	<u>31020.00.000</u>
Required for installation	<u>31061.00.000</u>

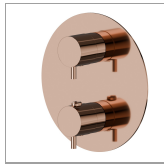
TECHNICAL DRAWING



 **AR Preview**
try it in your home



More Details
on our [website](#)



67608E.58.061

Concealed thermostatic mixer, with one handle for temperature control and 2 ways out diverter.
External part - finish PVD Copper Bronze

AVAILABLE FINISHES



58.061

PVD Copper Bronze



01.014

finish Matt White



01.093

finish Matt Black



21.018

finish Chrome



47.083

finish Groove Bronze



58.063

finish PVD Gun Metal



59.064

finish PVD Brushed Gun Metal



59.066

finish PVD Brushed steel



59.067

finish PVD Brushed Copper Bronze



59.097

finish PVD Brushed Gold



59.098

finish PVD Brushed Pale Gold



61.020

finish PVD Glossy Gold



AR Preview
try it in your home



More Details
on our [website](#)

 **M0.070**
finish Titanium Satin

 **M0.071**
finish Gold Satin

 **M0.072**
finish Copper Satin

 **M0.075**
finish Copper Glossy

 **M0.077**
finish Carbon Satin



AR Preview
try it in your home



More Details
on our [website](#)