

## 67608E.M0.070

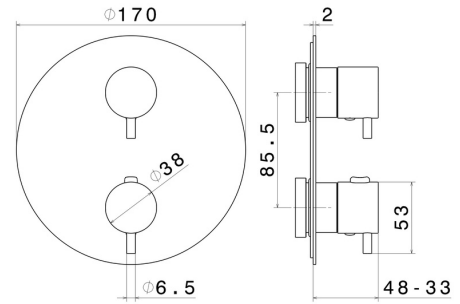
Concealed thermostatic mixer, with one handle for temperature control and 2 ways out diverter. External part - finish Titanium Satin

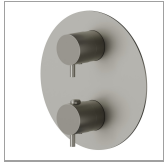


### FEATURES

Material	<b>Brass</b>
Installation	<b>Wall concealed part</b>
Diverter type	<b>Mechanic diverter</b>
Outlets	<b>2 Ways Out</b>
Water mixing	<b>Thermostatic</b>
Required for installation	<b><u>27888.00.000</u></b>
Required for installation	<b><u>31020.00.000</u></b>
Required for installation	<b><u>31061.00.000</u></b>

### TECHNICAL DRAWING





**67608E.M0.070**

Concealed thermostatic mixer, with one handle for temperature control and 2 ways out diverter.  
External part - finish Titanium Satin

**AVAILABLE FINISHES**

---



**M0.070**

Titanium Satin



**01.014**

finish Matt White



**01.093**

finish Matt Black



**21.018**

finish Chrome



**47.083**

finish Groove Bronze



**58.061**

finish PVD Copper Bronze



**58.063**

finish PVD Gun Metal



**59.064**

finish PVD Brushed Gun Metal



**59.066**

finish PVD Brushed steel



**59.067**

finish PVD Brushed Copper Bronze



**59.097**

finish PVD Brushed Gold



**59.098**

finish PVD Brushed Pale Gold



**61.020**  
finish PVD Glossy Gold



**M0.071**  
finish Gold Satin



**M0.072**  
finish Copper Satin



**M0.075**  
finish Copper Glossy



**M0.077**  
finish Carbon Satin