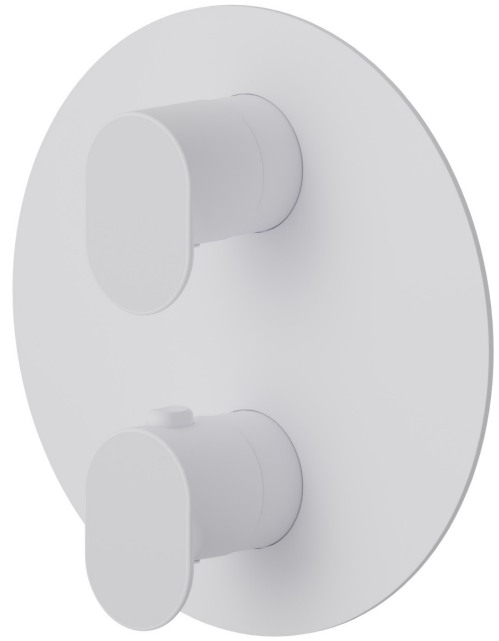


67638E.01.014

Concealed thermostatic mixer, with one handle for temperature control and 2 ways out diverter. External part - finish Matt White

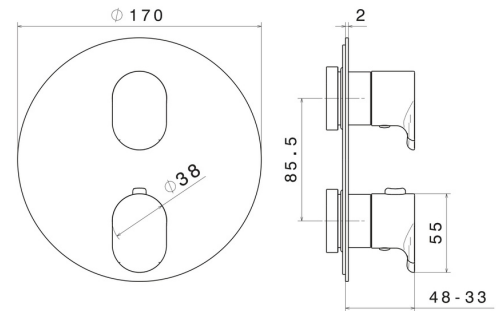


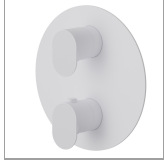
FEATURES

Material	Brass
Installation	Wall concealed part
Control type	Single lever
Diverter type	Mechanic diverter
Outlets	2 Ways Out
Water mixing	Thermostatic

Required for installation	<u>27888.00.000</u>
Required for installation	<u>31020.00.000</u>
Required for installation	<u>31061.00.000</u>

TECHNICAL DRAWING





67638E.01.014

Concealed thermostatic mixer, with one handle for temperature control and 2 ways out diverter.
External part - finish Matt White

AVAILABLE FINISHES



01.014

Matt White



01.093

finish Matt Black



21.018

finish Chrome



M0.070

finish Titanium Satin



M0.071

finish Gold Satin



M0.072

finish Copper Satin



M0.075

finish Copper Glossy