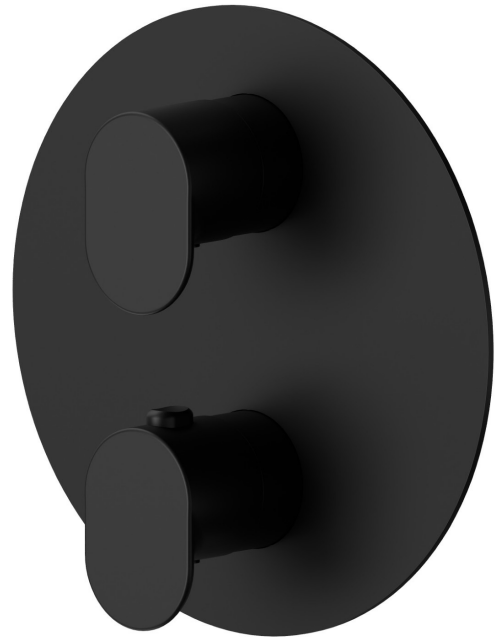


67638E.01.093

Concealed thermostatic mixer, with one handle for temperature control and 2 ways out diverter. External part - finish Matt Black

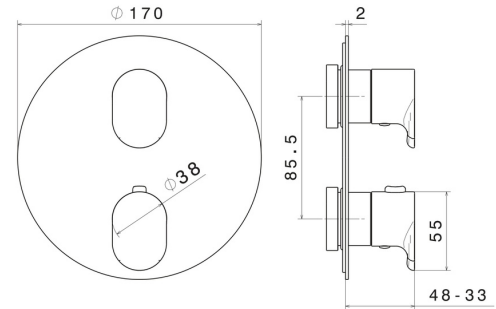


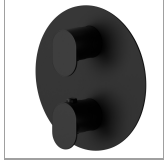
FEATURES

Material	Brass
Installation	Wall concealed part
Control type	Single lever
Diverter type	Mechanic diverter
Outlets	2 Ways Out
Water mixing	Thermostatic

Required for installation	<u>27888.00.000</u>
Required for installation	<u>31020.00.000</u>
Required for installation	<u>31061.00.000</u>

TECHNICAL DRAWING





67638E.01.093

Concealed thermostatic mixer, with one handle for temperature control and 2 ways out diverter.
External part - finish Matt Black

AVAILABLE FINISHES



01.093

Matt Black



01.014

finish Matt White



21.018

finish Chrome



M0.070

finish Titanium Satin



M0.071

finish Gold Satin



M0.072

finish Copper Satin



M0.075

finish Copper Glossy