

67638E.21.018

Concealed thermostatic mixer, with one handle for temperature control and 2 ways out diverter. External part - finish Chrome

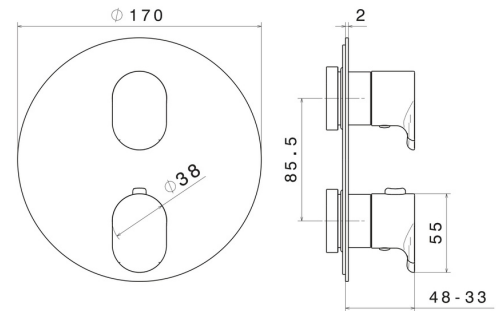


FEATURES

Material	Brass
Installation	Wall concealed part
Control type	Single lever
Diverter type	Mechanic diverter
Outlets	2 Ways Out
Water mixing	Thermostatic

Required for installation	<u>27888.00.000</u>
Required for installation	<u>31020.00.000</u>
Required for installation	<u>31061.00.000</u>

TECHNICAL DRAWING





67638E.21.018

Concealed thermostatic mixer, with one handle for temperature control and 2 ways out diverter.
External part - finish Chrome

AVAILABLE FINISHES



21.018

Chrome



01.014

finish Matt White



01.093

finish Matt Black



M0.070

finish Titanium Satin



M0.071

finish Gold Satin



M0.072

finish Copper Satin



M0.075

finish Copper Glossy