

67638E.M0.071

Concealed thermostatic mixer, with one handle for temperature control and 2 ways out diverter. External part - finish Gold Satin

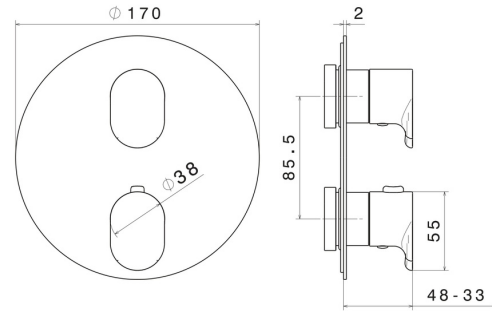


FEATURES

Material	Brass
Installation	Wall concealed part
Control type	Single lever
Diverter type	Mechanic diverter
Outlets	2 Ways Out
Water mixing	Thermostatic

Required for installation	<u>27888.00.000</u>
Required for installation	<u>31020.00.000</u>
Required for installation	<u>31061.00.000</u>

TECHNICAL DRAWING





67638E.M0.071

Concealed thermostatic mixer, with one handle for temperature control and 2 ways out diverter.
External part - finish Gold Satin

AVAILABLE FINISHES



M0.071
Gold Satin



01.014
finish Matt White



01.093
finish Matt Black



21.018
finish Chrome



M0.070
finish Titanium Satin



M0.072
finish Copper Satin



M0.075
finish Copper Glossy