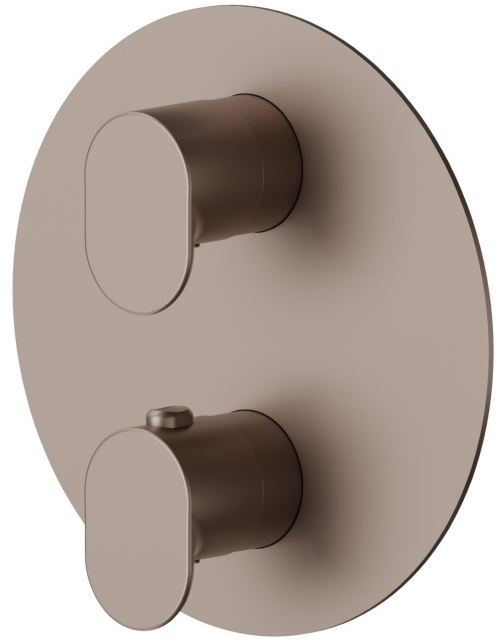


## 67638E.M0.075

Concealed thermostatic mixer, with one handle for temperature control and 2 ways out diverter. External part - finish Copper Glossy

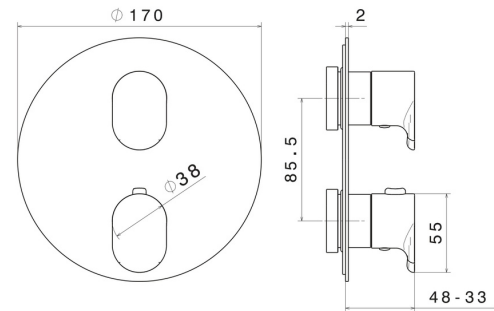


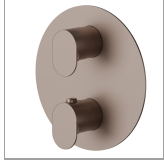
### FEATURES

Material	<b>Brass</b>
Installation	<b>Wall concealed part</b>
Control type	<b>Single lever</b>
Diverter type	<b>Mechanic diverter</b>
Outlets	<b>2 Ways Out</b>
Water mixing	<b>Thermostatic</b>

Required for installation	<u><b>27888.00.000</b></u>
Required for installation	<u><b>31020.00.000</b></u>
Required for installation	<u><b>31061.00.000</b></u>

### TECHNICAL DRAWING






**67638E.M0.075**


Concealed thermostatic mixer, with one handle for temperature control and 2 ways out diverter.  
External part - finish Copper Glossy

**AVAILABLE FINISHES**


---


 **M0.075**  
Copper Glossy


 **01.014**  
finish Matt White

 **01.093**  
finish Matt Black

 **21.018**  
finish Chrome

 **M0.070**  
finish Titanium Satin

 **M0.071**  
finish Gold Satin

 **M0.072**  
finish Copper Satin