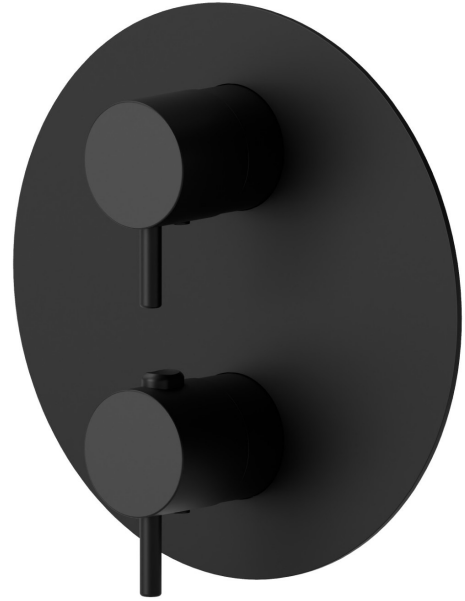


67688E.01.093

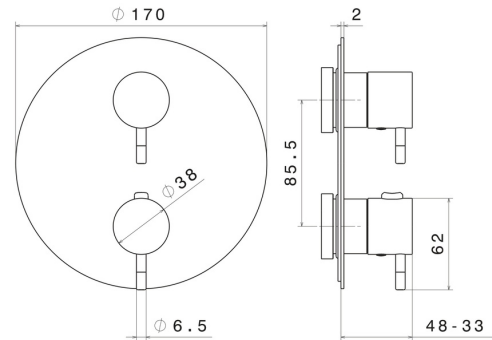
Concealed thermostatic mixer, with one handle for temperature control and 2 ways out diverter. External part - finish Matt Black

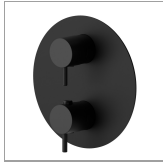


FEATURES

Material	Brass
Installation	Wall concealed part
Outlets	2 Ways Out
Water mixing	Thermostatic
Required for installation	<u>27888.00.000</u>
Required for installation	<u>31020.00.000</u>
Required for installation	<u>31061.00.000</u>

TECHNICAL DRAWING





67688E.01.093

Concealed thermostatic mixer, with one handle for temperature control and 2 ways out diverter.
External part - finish Matt Black

AVAILABLE FINISHES



01.093

Matt Black



05.093

finish Chrome - Matt Black



61.020

finish PVD Glossy Gold



M2.070

finish Titanium Satin - Matt black



M2.071

finish Gold Satin - Matt black



M2.072

finish Copper Satin - Matt black



M2.075

finish Copper Glossy