

## 67688E.M2.075

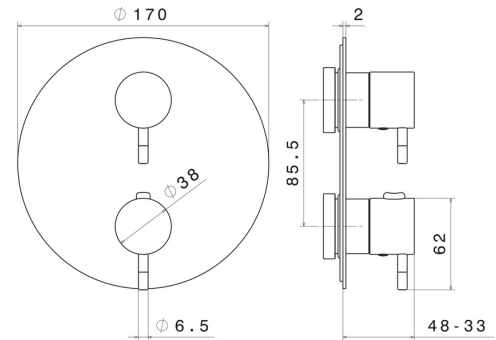
Concealed thermostatic mixer, with one handle for temperature control and 2 ways out diverter. External part - finish Copper Glossy

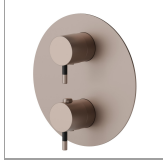


### FEATURES

Material	<b>Brass</b>
Installation	<b>Wall concealed part</b>
Outlets	<b>2 Ways Out</b>
Water mixing	<b>Thermostatic</b>
Required for installation	<b><u>27888.00.000</u></b>
Required for installation	<b><u>31020.00.000</u></b>
Required for installation	<b><u>31061.00.000</u></b>

### TECHNICAL DRAWING





**67688E.M2.075**

Concealed thermostatic mixer, with one handle for temperature control and 2 ways out diverter.  
External part - finish Copper Glossy

**AVAILABLE FINISHES**

---



**M2.075**

Copper Glossy



**01.093**

finish Matt Black



**05.093**

finish Chrome - Matt Black



**61.020**

finish PVD Glossy Gold



**M2.070**

finish Titanium Satin - Matt black



**M2.071**

finish Gold Satin - Matt black



**M2.072**

finish Copper Satin - Matt black