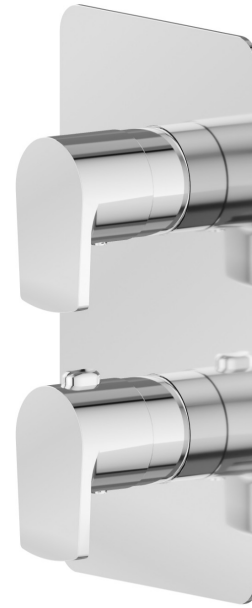


67692E.21.018

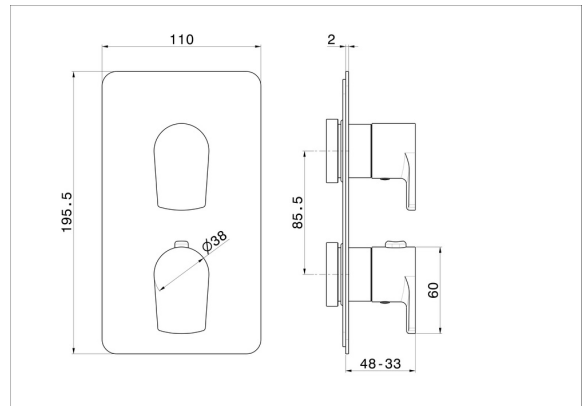
Concealed thermostatic mixer, with one handle for temperature control and 2 ways out diverter. External part - finish Chrome



FEATURES

Material	Brass
Installation	Wall concealed part
Control type	Single lever
Diverter type	Mechanic diverter
Outlets	3 Ways Out
Water mixing	Thermostatic
Required for installation	<u>27888.00.000</u>
Required for installation	<u>31020.00.000</u>
Required for installation	<u>31061.00.000</u>

TECHNICAL DRAWING





67692E.21.018

Concealed thermostatic mixer, with one handle for temperature control and 2 ways out diverter.
External part - finish Chrome

AVAILABLE FINISHES



21.018
Chrome



01.014
finish Matt White



01.093
finish Matt Black



59.064
finish PVD Brushed Gun Metal



59.066
finish PVD Brushed steel



59.067
finish PVD Brushed Copper Bronze



59.097
finish PVD Brushed Gold