

67692E.59.066

Concealed thermostatic mixer, with one handle for temperature control and 2 ways out diverter. External part - finish PVD Brushed steel



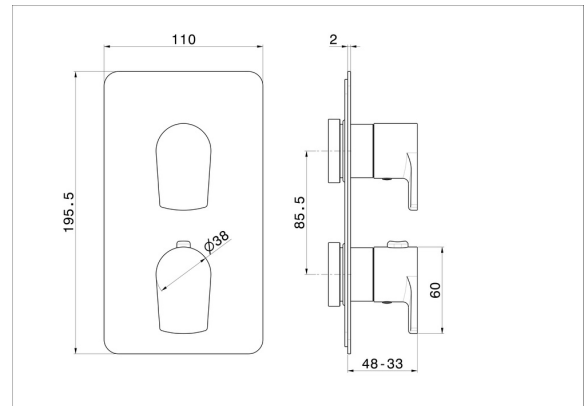
PVD Brushed steel



FEATURES

| | |
|---------------------------|----------------------------|
| Material | Brass |
| Installation | Wall concealed part |
| Control type | Single lever |
| Diverter type | Mechanic diverter |
| Outlets | 3 Ways Out |
| Water mixing | Thermostatic |
| Required for installation | <u>27888.00.000</u> |
| Required for installation | <u>31020.00.000</u> |
| Required for installation | <u>31061.00.000</u> |

TECHNICAL DRAWING





67692E.59.066

Concealed thermostatic mixer, with one handle for temperature control and 2 ways out diverter.
External part - finish PVD Brushed steel

AVAILABLE FINISHES



59.066

PVD Brushed steel



01.014

finish Matt White



01.093

finish Matt Black



21.018

finish Chrome



59.064

finish PVD Brushed Gun Metal



59.067

finish PVD Brushed Copper Bronze



59.097

finish PVD Brushed Gold