

67698E.59.066

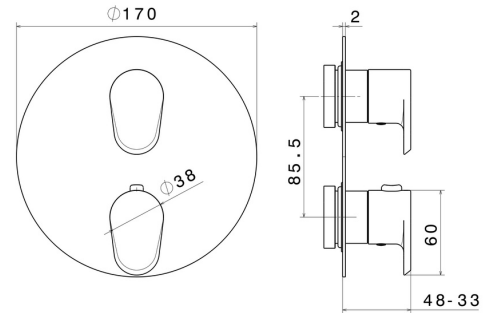
Concealed thermostatic mixer, with one handle for temperature control and 2 ways out diverter. External part - finish PVD Brushed steel



FEATURES

Material	Brass
Installation	Wall concealed part
Diverter type	Mechanic diverter
Outlets	2 Ways Out
Water mixing	Thermostatic
Required for installation	<u>27888.00.000</u>
Required for installation	<u>31020.00.000</u>
Required for installation	<u>31061.00.000</u>

TECHNICAL DRAWING







67698E.59.066


Concealed thermostatic mixer, with one handle for temperature control and 2 ways out diverter.
External part - finish PVD Brushed steel

AVAILABLE FINISHES

 **59.066**
PVD Brushed steel

 **01.093**
finish Matt Black

 **21.018**
finish Chrome

 **59.097**
finish PVD Brushed Gold