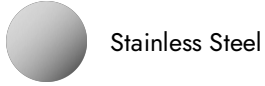


## 69663EX.50.050

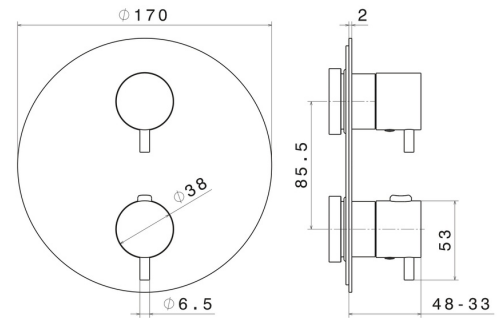
Concealed thermostatic mixer, with one handle for temperature control and 2 ways out diverter. External part - finish Stainless Steel



### FEATURES

Material	<b>Stainless Steel</b>
Installation	<b>Wall concealed part</b>
Diverter type	<b>Mechanic diverter</b>
Outlets	<b>2 Ways Out</b>
Water mixing	<b>Mechanical</b>
Required for installation	<b><u>27888.00.000</u></b>
Required for installation	<b><u>31020.00.000</u></b>
Required for installation	<b><u>31061.00.000</u></b>

### TECHNICAL DRAWING



 **AR Preview**  
try it in your home



**More Details**  
on our [website](#)



**69663EX.50.050**

Concealed thermostatic mixer, with one handle for temperature control and 2 ways out diverter.  
External part - finish Stainless Steel

**AVAILABLE FINISHES**

---



**50.050**

Stainless Steel



**59.064**

finish PVD Brushed Gun Metal



**59.067**

finish PVD Brushed Copper Bronze



**59.097**

finish PVD Brushed Gold



**59.098**

finish PVD Brushed Pale Gold



**AR Preview**  
try it in your home



**More Details**  
on our [website](#)