

69663EX.59.064

Concealed thermostatic mixer, with one handle for temperature control and 2 ways out diverter. External part - finish PVD Brushed Gun Metal

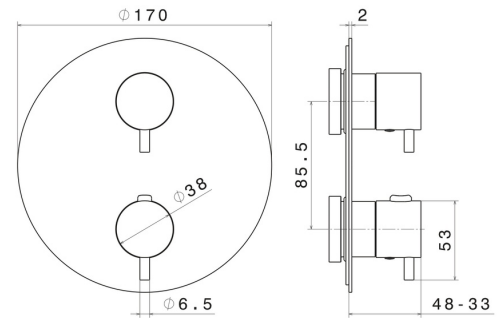


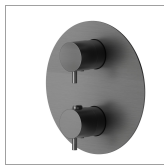
FEATURES

Material	Stainless Steel
Installation	Wall concealed part
Diverter type	Mechanic diverter
Outlets	2 Ways Out
Water mixing	Mechanical

Required for installation	<u>27888.00.000</u>
Required for installation	<u>31020.00.000</u>
Required for installation	<u>31061.00.000</u>

TECHNICAL DRAWING





69663EX.59.064

Concealed thermostatic mixer, with one handle for temperature control and 2 ways out diverter.
External part - finish PVD Brushed Gun Metal

AVAILABLE FINISHES



59.064

PVD Brushed Gun Metal



50.050

finish Stainless Steel



59.067

finish PVD Brushed Copper Bronze



59.097

finish PVD Brushed Gold



59.098

finish PVD Brushed Pale Gold