

**69663EX.59.067**

Concealed thermostatic mixer, with one handle for temperature control and 2 ways out diverter. External part - finish PVD Brushed Copper Bronze



PVD Brushed Copper Bronze

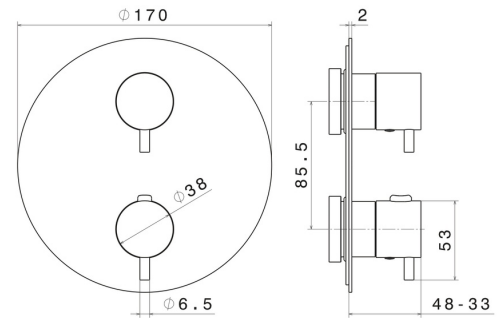


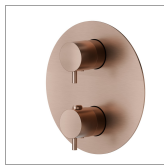
**FEATURES**

Material	<b>Stainless Steel</b>
Installation	<b>Wall concealed part</b>
Diverter type	<b>Mechanic diverter</b>
Outlets	<b>2 Ways Out</b>
Water mixing	<b>Mechanical</b>

Required for installation	<b><u>27888.00.000</u></b>
Required for installation	<b><u>31020.00.000</u></b>
Required for installation	<b><u>31061.00.000</u></b>

**TECHNICAL DRAWING**






**69663EX.59.067**

Concealed thermostatic mixer, with one handle for temperature control and 2 ways out diverter.  
External part - finish PVD Brushed Copper Bronze


**AVAILABLE FINISHES**

---

 **59.067**  
PVD Brushed Copper Bronze

 **50.050**  
finish Stainless Steel

 **59.064**  
finish PVD Brushed Gun Metal

 **59.097**  
finish PVD Brushed Gold

 **59.098**  
finish PVD Brushed Pale Gold