

69663EX.59.097

Concealed thermostatic mixer, with one handle for temperature control and 2 ways out diverter. External part - finish PVD Brushed Gold

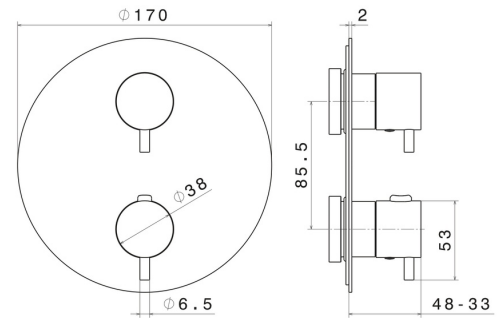


FEATURES

Material	Stainless Steel
Installation	Wall concealed part
Diverter type	Mechanic diverter
Outlets	2 Ways Out
Water mixing	Mechanical

Required for installation	<u>27888.00.000</u>
Required for installation	<u>31020.00.000</u>
Required for installation	<u>31061.00.000</u>

TECHNICAL DRAWING





69663EX.59.097

Concealed thermostatic mixer, with one handle for temperature control and 2 ways out diverter.
External part - finish PVD Brushed Gold

AVAILABLE FINISHES



59.097

PVD Brushed Gold



50.050

finish Stainless Steel



59.064

finish PVD Brushed Gun Metal



59.067

finish PVD Brushed Copper Bronze



59.098

finish PVD Brushed Pale Gold