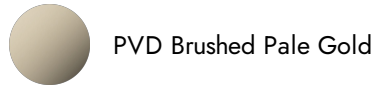


**69663EX.59.098**

Concealed thermostatic mixer, with one handle for temperature control and 2 ways out diverter. External part - finish PVD Brushed Pale Gold

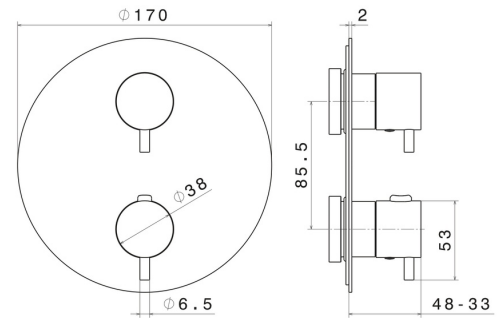


**FEATURES**

Material	<b>Stainless Steel</b>
Installation	<b>Wall concealed part</b>
Diverter type	<b>Mechanic diverter</b>
Outlets	<b>2 Ways Out</b>
Water mixing	<b>Mechanical</b>

Required for installation	<b><u>27888.00.000</u></b>
Required for installation	<b><u>31020.00.000</u></b>
Required for installation	<b><u>31061.00.000</u></b>

**TECHNICAL DRAWING**





**69663EX.59.098**

Concealed thermostatic mixer, with one handle for temperature control and 2 ways out diverter.  
External part - finish PVD Brushed Pale Gold

**AVAILABLE FINISHES**

---



**59.098**

PVD Brushed Pale Gold



**50.050**

finish Stainless Steel



**59.064**

finish PVD Brushed Gun Metal



**59.067**

finish PVD Brushed Copper Bronze



**59.097**

finish PVD Brushed Gold