

69898E.21.018

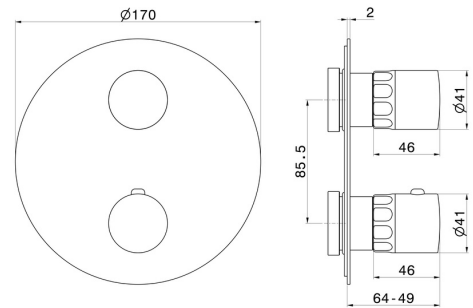
Concealed thermostatic mixer, with one handle for temperature control and 2 ways out diverter. External part - finish Chrome

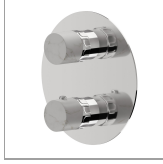


FEATURES

Material	Brass/Marble
Installation	Wall concealed part
Control type	Single lever
Diverter type	Mechanic diverter
Outlets	2 Ways Out
Water mixing	Thermostatic
Required for installation	<u>31061.00.000</u>
Required for installation	<u>31020.00.000</u>
Required for installation	<u>27888.00.000</u>

TECHNICAL DRAWING





69898E.21.018

Concealed thermostatic mixer, with one handle for temperature control and 2 ways out diverter.
External part - finish Chrome

AVAILABLE FINISHES



21.018

Chrome



01.014

finish Matt White



01.093

finish Matt Black



59.064

finish PVD Brushed Gun Metal



59.066

finish PVD Brushed steel



59.067

finish PVD Brushed Copper Bronze



59.098

finish PVD Brushed Pale Gold



61.020

finish PVD Glossy Gold