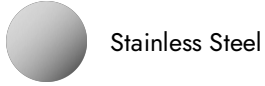


69665EX.50.050

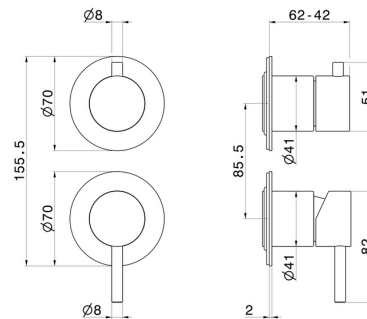
Concealed thermostatic mixer, with one handle for temperature control and 2 ways out diverter. External part. Ø70 - finish Stainless Steel



FEATURES

Material	Stainless Steel
Installation	Wall concealed part
Diverter type	Mechanic diverter
Outlets	2 Ways Out
Water mixing	Mechanical
Required for installation	<u>31087.00.000</u>

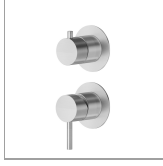
TECHNICAL DRAWING



 **AR Preview**
try it in your home



More Details
on our [website](#)



69665EX.50.050

Concealed thermostatic mixer, with one handle for temperature control and 2 ways out diverter.
External part. Ø70 - finish Stainless Steel

AVAILABLE FINISHES



50.050

Stainless Steel



59.064

finish PVD Brushed Gun Metal



59.067

finish PVD Brushed Copper Bronze



59.097

finish PVD Brushed Gold



59.098

finish PVD Brushed Pale Gold



AR Preview
try it in your home



More Details
on our [website](#)