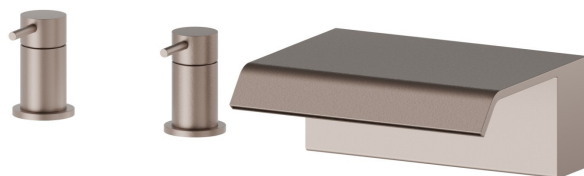


70032.M0.075

Deck-mounted set with waterfall spout - finish Copper Glossy

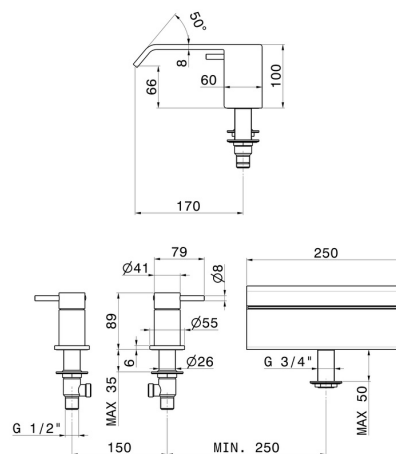


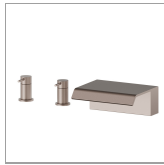
FEATURES

Material
Installation
Water mixing
Spray modes / Jets

Brass
Deck-mounted
Mechanical
Waterfall jet

TECHNICAL DRAWING





70032.M0.075

Deck-mounted set with waterfall spout - finish Copper Glossy

AVAILABLE FINISHES



M0.075

Copper Glossy



01.014

finish Matt White



01.093

finish Matt Black



21.018

finish Chrome



47.083

finish Groove Bronze



59.064

finish PVD Brushed Gun Metal



59.066

finish PVD Brushed steel



59.067

finish PVD Brushed Copper Bronze



59.097

finish PVD Brushed Gold



59.098

finish PVD Brushed Pale Gold



M0.070

finish Titanium Satin



M0.071

finish Gold Satin



MO.072
finish Copper Satin



MO.077
finish Carbon Satin