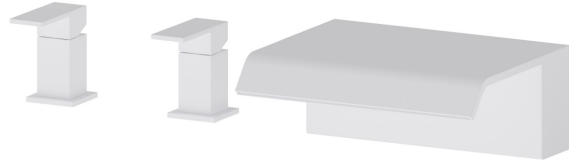


70033.01.014

Deck-mounted set with waterfall spout - finish Matt White

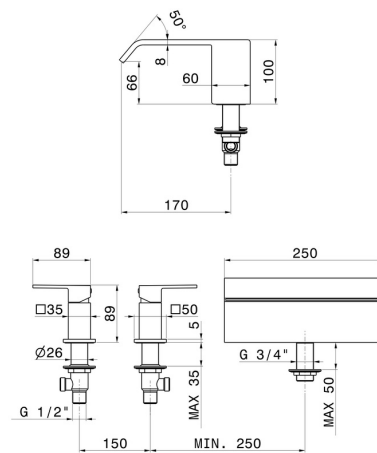
High flow rate (3Bar - 40 L/min)

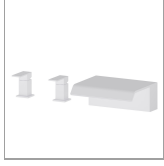


FEATURES

Material	Brass
Installation	Deck-mounted
Water mixing	Mechanical
Spray modes / Jets	Waterfall jet

TECHNICAL DRAWING





70033.01.014

Deck-mounted set with waterfall spout - finish Matt White

AVAILABLE FINISHES



01.014

Matt White



01.093

finish Matt Black



21.018

finish Chrome



47.083

finish Groove Bronze



59.064

finish PVD Brushed Gun Metal



59.066

finish PVD Brushed steel



59.067

finish PVD Brushed Copper Bronze



59.097

finish PVD Brushed Gold



59.098

finish PVD Brushed Pale Gold



M0.070

finish Titanium Satin




M0.071


finish Gold Satin



M0.072

finish Copper Satin

 **MO.075**
finish Copper Glossy

 **MO.077**
finish Carbon Satin