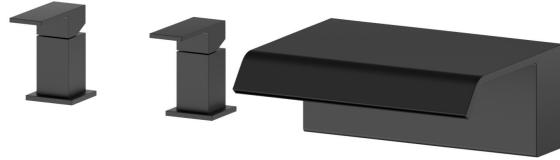


70033.01.093

Deck-mounted set with waterfall spout - finish Matt Black
 High flow rate (3Bar - 40 L/min)

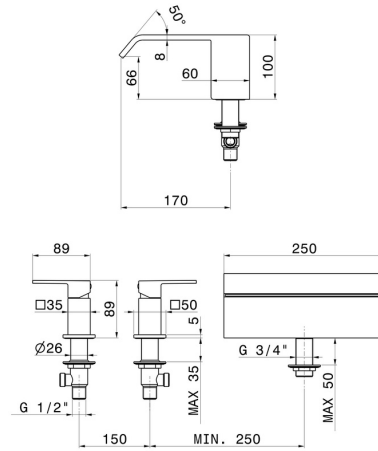


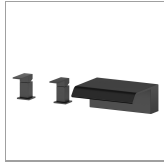
FEATURES

Material
 Installation
 Water mixing
 Spray modes / Jets

Brass
Deck-mounted
Mechanical
Waterfall jet

TECHNICAL DRAWING





70033.01.093

Deck-mounted set with waterfall spout - finish Matt Black

AVAILABLE FINISHES



01.093

Matt Black



01.014

finish Matt White



21.018

finish Chrome



47.083

finish Groove Bronze



59.064

finish PVD Brushed Gun Metal



59.066

finish PVD Brushed steel



59.067

finish PVD Brushed Copper Bronze



59.097

finish PVD Brushed Gold



59.098

finish PVD Brushed Pale Gold



M0.070

finish Titanium Satin



M0.071

finish Gold Satin



M0.072

finish Copper Satin



MO.075

finish Copper Glossy



MO.077

finish Carbon Satin