

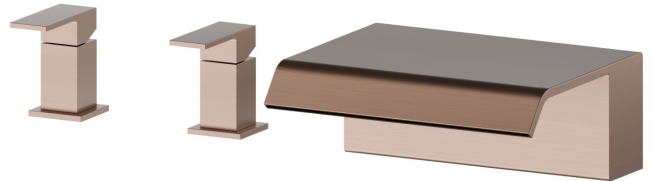
70033.59.067

Deck-mounted set with waterfall spout - finish PVD Brushed Copper Bronze

High flow rate (3Bar - 40 L/min)



PVD Brushed Copper Bronze

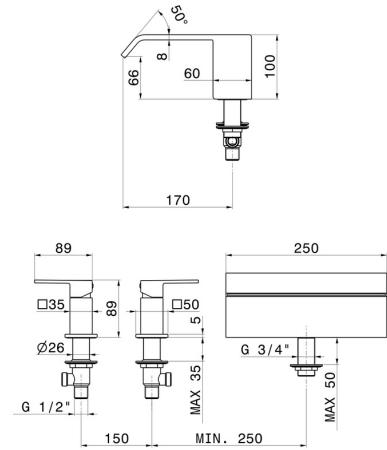


FEATURES

Material
Installation
Water mixing
Spray modes / Jets

Brass
Deck-mounted
Mechanical
Waterfall jet

TECHNICAL DRAWING





70033.59.067

Deck-mounted set with waterfall spout - finish PVD Brushed Copper Bronze

AVAILABLE FINISHES



59.067

PVD Brushed Copper Bronze



01.014

finish Matt White



01.093

finish Matt Black



21.018

finish Chrome



47.083

finish Groove Bronze



59.064

finish PVD Brushed Gun Metal



59.066

finish PVD Brushed steel



59.097

finish PVD Brushed Gold



59.098

finish PVD Brushed Pale Gold



M0.070

finish Titanium Satin



M0.071

finish Gold Satin



M0.072

finish Copper Satin



MO.075

finish Copper Glossy



MO.077

finish Carbon Satin