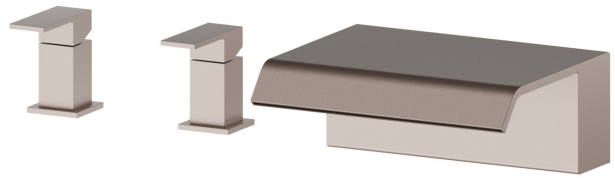


## 70033.M0.075

Deck-mounted set with waterfall spout - finish Copper Glossy  
 High flow rate (3Bar - 40 L/min)

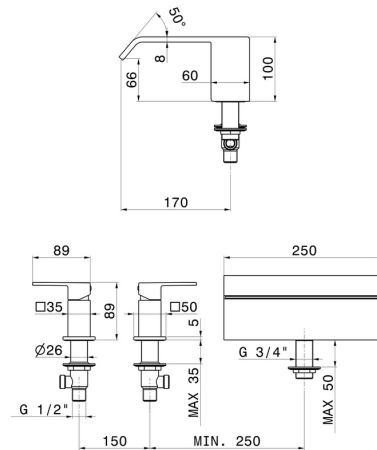


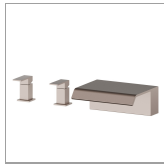
### FEATURES

Material  
 Installation  
 Water mixing  
 Spray modes / Jets

**Brass**  
**Deck-mounted**  
**Mechanical**  
**Waterfall jet**

### TECHNICAL DRAWING





**70033.M0.075**

Deck-mounted set with waterfall spout - finish Copper Glossy

**AVAILABLE FINISHES**

---



**M0.075**

Copper Glossy



**01.014**

finish Matt White



**01.093**

finish Matt Black



**21.018**

finish Chrome



**47.083**

finish Groove Bronze



**59.064**

finish PVD Brushed Gun Metal



**59.066**

finish PVD Brushed steel



**59.067**

finish PVD Brushed Copper Bronze



**59.097**

finish PVD Brushed Gold



**59.098**

finish PVD Brushed Pale Gold



**M0.070**

finish Titanium Satin



**M0.071**

finish Gold Satin



**MO.072**  
finish Copper Satin



**MO.077**  
finish Carbon Satin