

SENSITIVE

26474.58.063

Deck mounted spout for electronic separate control - finish PVD Gun Metal



SAVE WATER



PVD Gun Metal



FEATURES

Material

Brass

Technology

Save Water

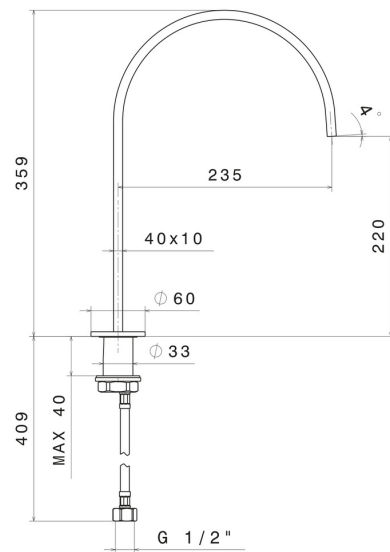
Installation

Freestanding

Hole type

Single hole

TECHNICAL DRAWING





SENSITIVE

26474.58.063

Deck mounted spout for electronic separate control - finish PVD Gun Metal

AVAILABLE FINISHES



58.063

PVD Gun Metal



01.014

finish Matt White



01.093

finish Matt Black



21.018

finish Chrome



47.083

finish Groove Bronze



58.061

finish PVD Copper Bronze



59.064

finish PVD Brushed Gun Metal



59.066

finish PVD Brushed steel



59.067

finish PVD Brushed Copper Bronze



59.097

finish PVD Brushed Gold



59.098

finish PVD Brushed Pale Gold



61.020


finish PVD Glossy Gold

 **M0.070**
finish Titanium Satin

 **M0.071**
finish Gold Satin

 **M0.072**
finish Copper Satin

 **M0.075**
finish Copper Glossy

 **M0.077**
finish Carbon Satin