

# SENSITIVE

## 26474.M0.075

Deck mounted spout for electronic separate control - finish Copper Glossy



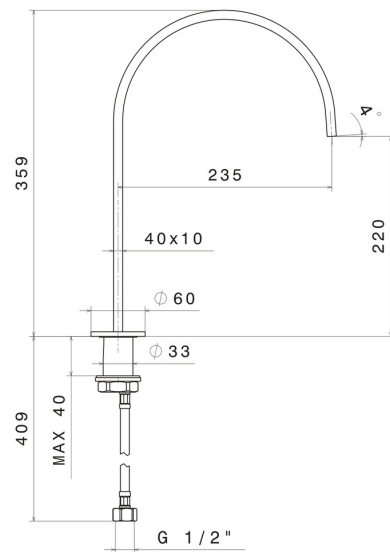
Copper Glossy



### FEATURES

- |              |                     |
|--------------|---------------------|
| Material     | <b>Brass</b>        |
| Technology   | <b>Save Water</b>   |
| Installation | <b>Freestanding</b> |
| Hole type    | <b>Single hole</b>  |

### TECHNICAL DRAWING





**SENSITIVE**

**26474.M0.075**

Deck mounted spout for electronic separate control - finish Copper Glossy

**AVAILABLE FINISHES**

---



**M0.075**

Copper Glossy



**01.014**

finish Matt White



**01.093**

finish Matt Black



**21.018**

finish Chrome



**47.083**

finish Groove Bronze



**58.061**

finish PVD Copper Bronze



**58.063**

finish PVD Gun Metal



**59.064**

finish PVD Brushed Gun Metal



**59.066**

finish PVD Brushed steel



**59.067**

finish PVD Brushed Copper Bronze



**59.097**

finish PVD Brushed Gold



**59.098**

finish PVD Brushed Pale Gold

 **61.020**  
finish PVD Glossy Gold

 **M0.070**  
finish Titanium Satin

 **M0.071**  
finish Gold Satin

 **M0.072**  
finish Copper Satin

 **M0.077**  
finish Carbon Satin