

XT

4288.59.066

Diverter for deck-mounted set - finish PVD Brushed steel



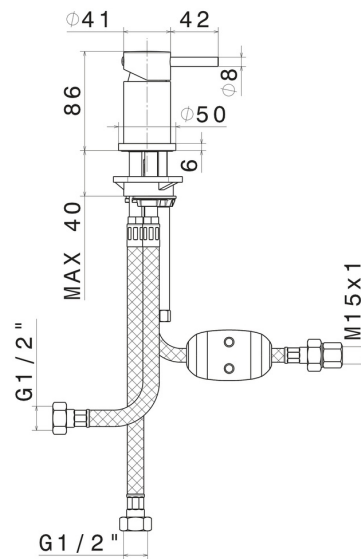
PVD Brushed steel



FEATURES

Material	Brass
Installation	Deck-mounted
Hole type	Single hole
Control type	Single lever
Diverter type	Mechanic diverter

TECHNICAL DRAWING





XT

4288.59.066

Diverter for deck-mounted set - finish PVD Brushed steel

AVAILABLE FINISHES



59.066

PVD Brushed steel



01.014

finish Matt White



01.093

finish Matt Black



21.018

finish Chrome



47.083

finish Groove Bronze



58.061

finish PVD Copper Bronze



58.063

finish PVD Gun Metal



59.064

finish PVD Brushed Gun Metal



59.067

finish PVD Brushed Copper Bronze



59.097

finish PVD Brushed Gold



61.020

finish PVD Glossy Gold



M0.070

finish Titanium Satin



MO.071
finish Gold Satin



MO.072
finish Copper Satin



MO.075
finish Copper Glossy



MO.077
finish Carbon Satin