

# SENSITIVE

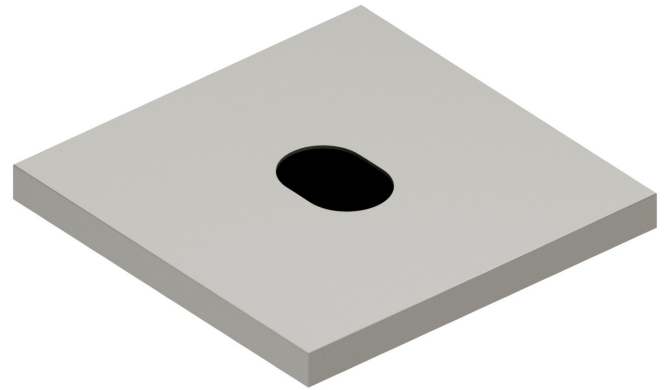
## 66702.M0.070

Electronic remote control for above counter, matching freestanding, wall or ceiling mounted device - finish Titanium Satin

With stop valves to regulate flow and temperature. Infrared controller with manually 'ON-OFF' opening, equipped with security stop at 30 seconds



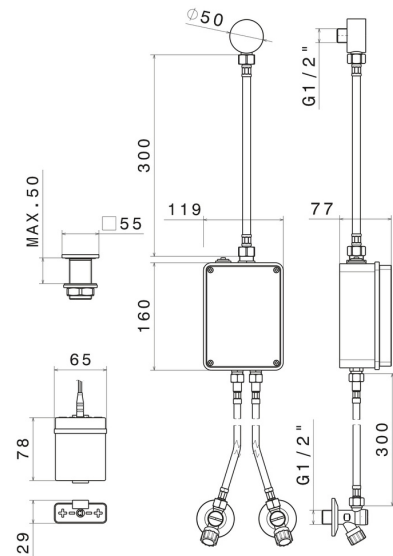
Titanium Satin

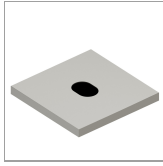


### FEATURES

Material	<b>Brass</b>
Installation	<b>Freestanding</b>
Control type	<b>Electronic remote control</b>

### TECHNICAL DRAWING





**SENSITIVE**

**66702.M0.070**

Electronic remote control for above counter, matching freestanding, wall or ceiling mounted device - finish Titanium Satin

**AVAILABLE FINISHES**

---



**M0.070**

Titanium Satin



**01.014**

finish Matt White



**01.093**

finish Matt Black



**21.018**

finish Chrome



**47.083**

finish Groove Bronze



**58.061**

finish PVD Copper Bronze



**58.063**

finish PVD Gun Metal



**59.064**

finish PVD Brushed Gun Metal



**59.066**

finish PVD Brushed steel



**59.067**

finish PVD Brushed Copper Bronze



**59.097**

finish PVD Brushed Gold



**59.098**

finish PVD Brushed Pale Gold



**61.020**

finish PVD Glossy Gold



**M0.071**

finish Gold Satin



**M0.072**

finish Copper Satin



**M0.075**

finish Copper Glossy



**M0.077**

finish Carbon Satin