

AQUALITE

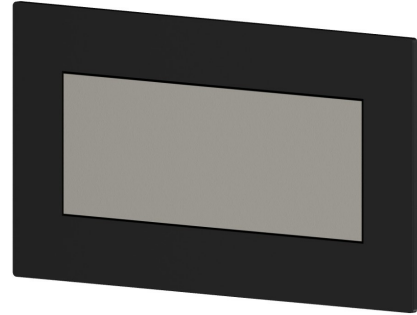
69265E.C6.093

External part of 2 ways out concealed automatic diverter - finish
Matt black + Titanium Satin

External part



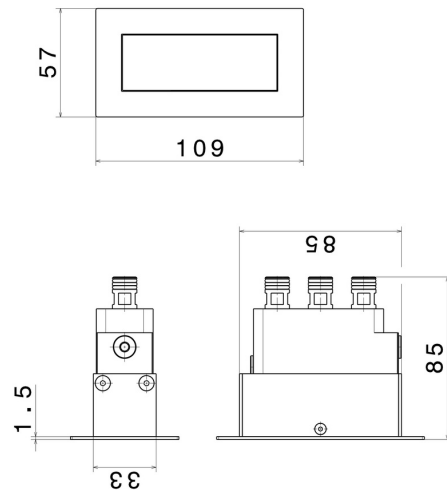
Matt black + Titanium Satin

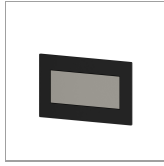


FEATURES

| | |
|---------------------------|----------------------------|
| Material | Stainless Steel |
| Installation | Wall concealed part |
| Diverter type | Automatic diverter |
| Outlets | 2 Ways Out |
| Required for installation | <u>69266.00.000</u> |

TECHNICAL DRAWING





AQUALITE

69265E.C6.093

External part of 2 ways out concealed automatic diverter - finish Matt black + Titanium Satin

AVAILABLE FINISHES



C6.093

Matt black + Titanium Satin



01.093

finish Matt Black



46.093

finish Brushed steel + Matt black



50.050

finish Stainless Steel



A3.050

finish Brushed steel + Copper Glossy



A6.050

finish Brushed steel + Titanium Satin



C3.093

finish Matt black + Copper Glossy



M0.070

finish Titanium Satin



M0.075

finish Copper Glossy



M2.070

finish Titanium Satin - Matt black



M2.075

finish Copper Glossy



M3.070

finish Titanium Satin + Copper Glossy



M6.075

finish Copper Glossy + Titanium Satin