

AQUALITE

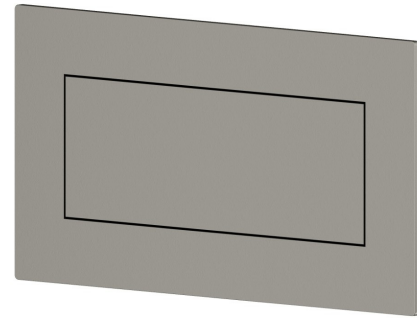
69265E.M0.070

External part of 2 ways out concealed automatic diverter - finish
Titanium Satin

External part



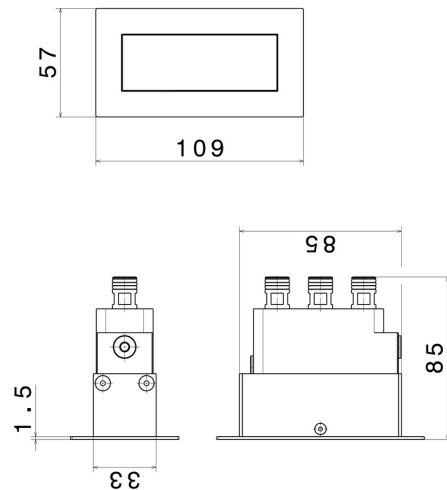
Titanium Satin

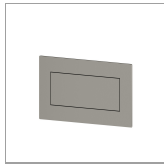


FEATURES

Material	Stainless Steel
Installation	Wall concealed part
Diverter type	Automatic diverter
Outlets	2 Ways Out
Required for installation	<u>69266.00.000</u>

TECHNICAL DRAWING





AQUALITE

69265E.M0.070

External part of 2 ways out concealed automatic diverter - finish Titanium Satin

AVAILABLE FINISHES



M0.070

Titanium Satin



01.093

finish Matt Black



46.093

finish Brushed steel + Matt black



50.050

finish Stainless Steel



A3.050

finish Brushed steel + Copper Glossy



A6.050

finish Brushed steel + Titanium Satin



C3.093

finish Matt black + Copper Glossy



C6.093

finish Matt black + Titanium Satin



M0.075

finish Copper Glossy



M2.070

finish Titanium Satin - Matt black



M2.075

finish Copper Glossy



M3.070

finish Titanium Satin + Copper Glossy



M6.075

finish Copper Glossy + Titanium Satin