

AQUALITE

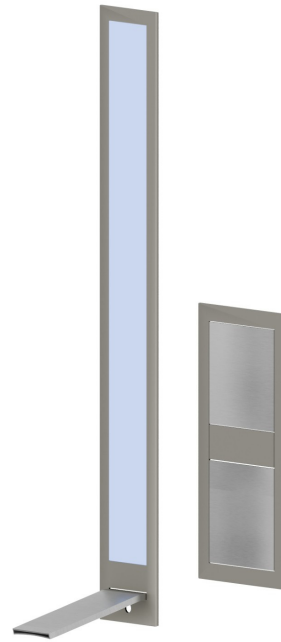
69230E.A6.050

External part of wall basin mixer group, without pop-up waste set - finish Brushed steel + Titanium Satin

With waterfall spout. Equipped with lighting system related to water's temperature. Complete with external part of wall mixer for flow and temperature regulation



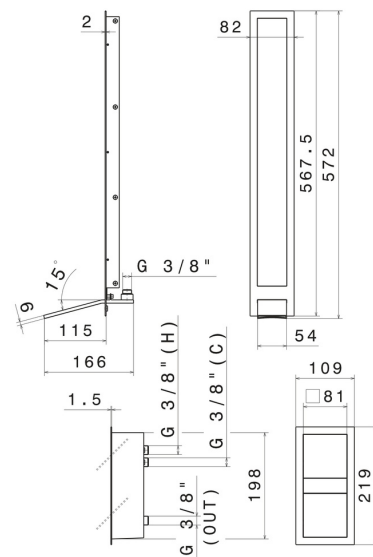
Brushed steel + Titanium Satin

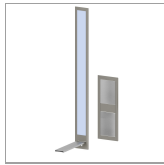


FEATURES

Material	Stainless Steel
Technology	Save Water
Installation	Wall concealed part
Waste / Drain set	Without waste set
Water mixing	Mechanical
Required for installation	<u>69227.00.000</u>

TECHNICAL DRAWING





AQUALITE

69230E.A6.050

External part of wall basin mixer group, without pop-up waste set - finish Brushed steel + Titanium Satin

AVAILABLE FINISHES



A6.050

Brushed steel + Titanium Satin



01.093

finish Matt Black



46.093

finish Brushed steel + Matt black



50.050

finish Stainless Steel



A3.050

finish Brushed steel + Copper Glossy



C3.093

finish Matt black + Copper Glossy



C6.093

finish Matt black + Titanium Satin



M0.070

finish Titanium Satin



M0.075

finish Copper Glossy



M2.070

finish Titanium Satin - Matt black



M2.075

finish Copper Glossy



M3.070

finish Titanium Satin + Copper Glossy



M6.075

finish Copper Glossy + Titanium Satin